

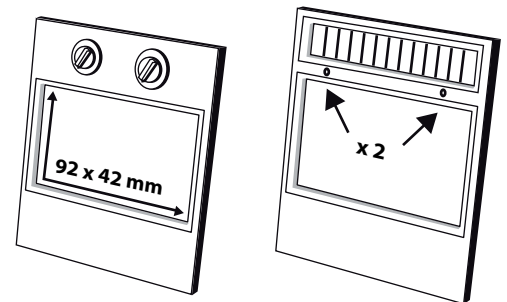
- **Shade 9-13**
- **UV/ IR DIN 15 Protection**
- **Adjustable shade, sensitivity & delay**



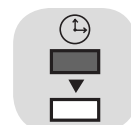
Ref. 042544

► TECHNICAL DATA

Classification	1/2/1/1
Clear shade	4
Dark shade	9/13
Reaction speed	0.3 ms
Back to clear speed	auto
Field of vision	92x42 mm
Power supply	solar
Weight	440 g
Adjustable	Sensitivity, delay and shade
Light sensors	2
Applications	MMA 5▶400 / TIG 5▶300 / MIG-MAG 5▶400
Standards	EN 175 / EN 379



Sensitivity



Delay



Shade

► ACCESSORIES

